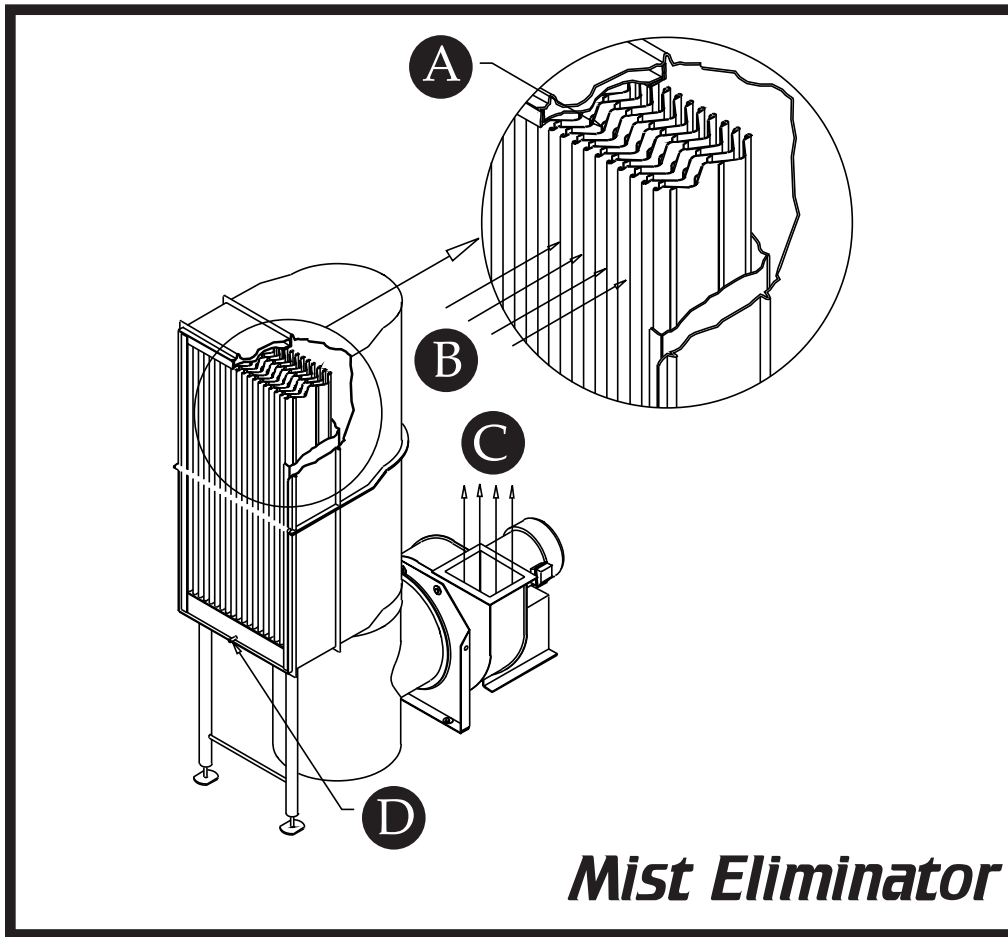


Eliminate mist and moisture from entering the blower



EQUIPMENT

- A** BLADES TRAP MOISTURE
- B** MOIST AIR INTAKE
- C** DRY AIR DISPENSES
- D** MOISTURE DRAINAGE

GENERAL DESCRIPTION

The Mist Eliminator eliminates 100% of mist and moisture from entering the blower system. With its lightweight and sturdy construction, the Mist Eliminator is easy to install with no moving parts to maintain. As an option, the Mist Eliminator, can be installed on all new or existing Proto-Vest drying systems.

FEATURES / BENEFITS

Increase Efficiency:

Mist Eliminator increase efficiency by reducing a heavy concentration of moisture in the carwash drying environment.

Low Maintenance:

The Mist Eliminator requires virtually no maintenance.

SERVICE / SUPPORT

Proto-Vest recognizes that support after the sale of equipment is critical to the success of our customers. Our company offers its customers access to a wide range of services including: field service technicians, factory direct aftermarket parts, and an engineering staff for custom designed applications.

Proto-Vest Patents:

U.S.: 3,942,430; 4,161,801; 4,409,035; 4,418,442; 4,433,450; 4,445,251; 4,446,592; 4,589,160; 4,700,426; 5,027,714; 5,184,369; 5,187,881; 5,195,207; 5,280,665; 5,421,102; 5,553,346; 5,886,648; 5,901,461; 5,950,324; 5,960,564; 6,038,781; 6,176,024; 6,519,872; others pending.

Canada: 1,021,996; 1,111,328; 1,190,453; 1,201,040; 1,197,439; 1,219,195; 1,219,192; 1,219,194; 1,258,026; 1,219,193; 2,013,749; 2,071,568; 2,071,239; 2,071,388; others pending.

Specifications subject to change without notice.

Proto-Vest, Inc., 7400 N. Glen Harbor Blvd., Glendale, AZ 85307 • 800-521-8218 • 623-872-8300 • Fax 623-872-6150
www.proto-vest.com

© Copyright 1998, Proto-Vest, Inc. All rights reserved.

Proto-Vest[®] Inc.